

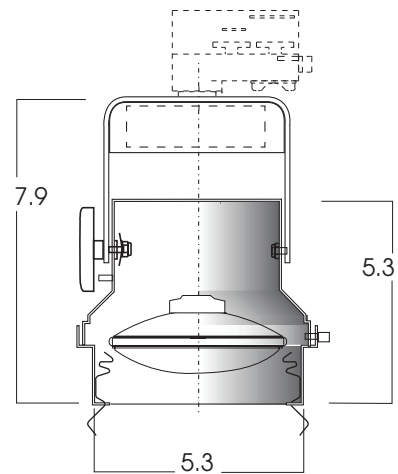
SPEC TRAK SERIES
LOW VOLTAGE / PAR 36
 250 WATT MAXIMUM

SAR
SERIES



PRODUCT INFORMATION:

- Stage lighting type track head for PAR36 lamps.
- Accepts up to 3 accessories.
- Hinged door for easy re-lamping.
- Choose from 20 powder coat finishes.
- Manufactured and tested to UL standard No. 1598.



MODEL	TRANSFORMER	OPTIONS	ADAPTOR	FINISH	ACCESSORIES*
SAR36LV- Transformer in Yoke or at Adaptor	E1 -Electronic, 120v E2 -Electronic, 277v (for use with HTEK100 adaptor ONLY)	FS -Fuse holder and fuse WRL -Label with Max Wattage SW -Switch	GES66 -Works with GET Track TEK100 -Works with TEK Track HTEK100 -Works with HTEK Track GA100 -Works with XTS Track GES70 -Monopoint Canopy PC1 -Pipe Clamp CP -6" Straight Cord/Plug CCP -6" Coil Cord/ Plug	MT -Mini Textured Silver MW -Matte White MB -Matte Black CC -Custom Color *See SPECTRUM color chart for a full list of colors (MT/MB -with black adaptor & cord MW -with white adaptor & cord)	LN36 -Lens (see lens pages) SN36 -Snoot BD36 -Barn Doors HL36 -Hex Louver *Accessory finish will match fixture.
SAR36LV	E1	FS	TEK100	MT	BD36

Dimensions shown are nominal. Spectrum Lighting is continually improving products and reserves the right to make changes that will not alter performance or appearance with or without written notice.



PROJECT:	TYPE:
CAT. NO.:	

